

EZ^X

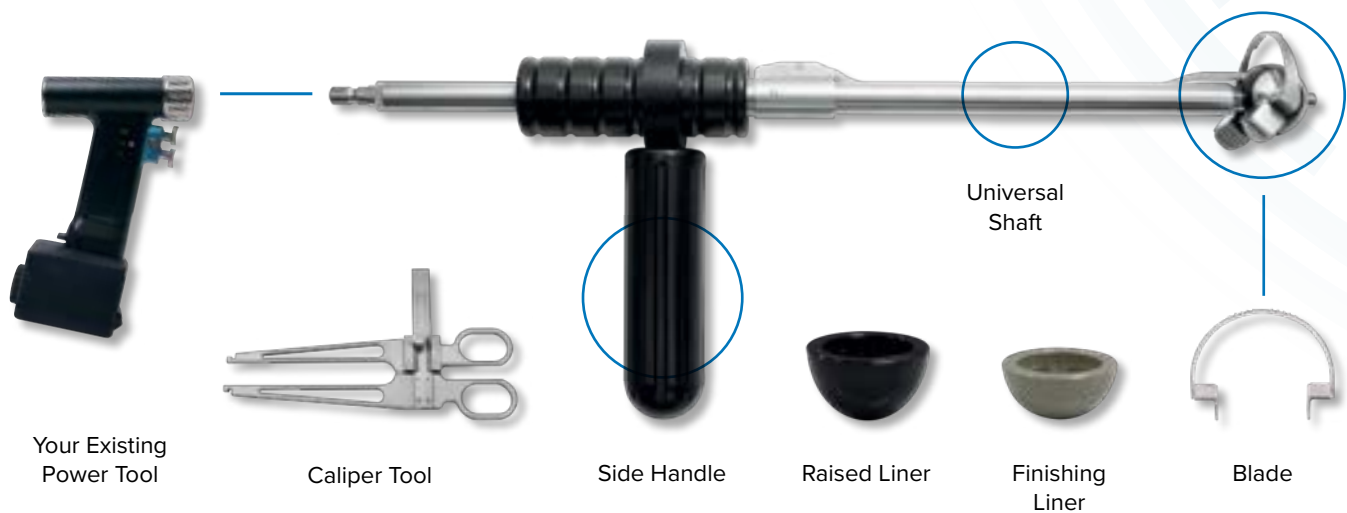
ACETABULAR CUP REMOVAL SYSTEM

For use in revision hip surgery



**PRECISE CUT FOR
PREDICTABLE RESULTS**

SAFE PRECISE EASY EFFICIENT



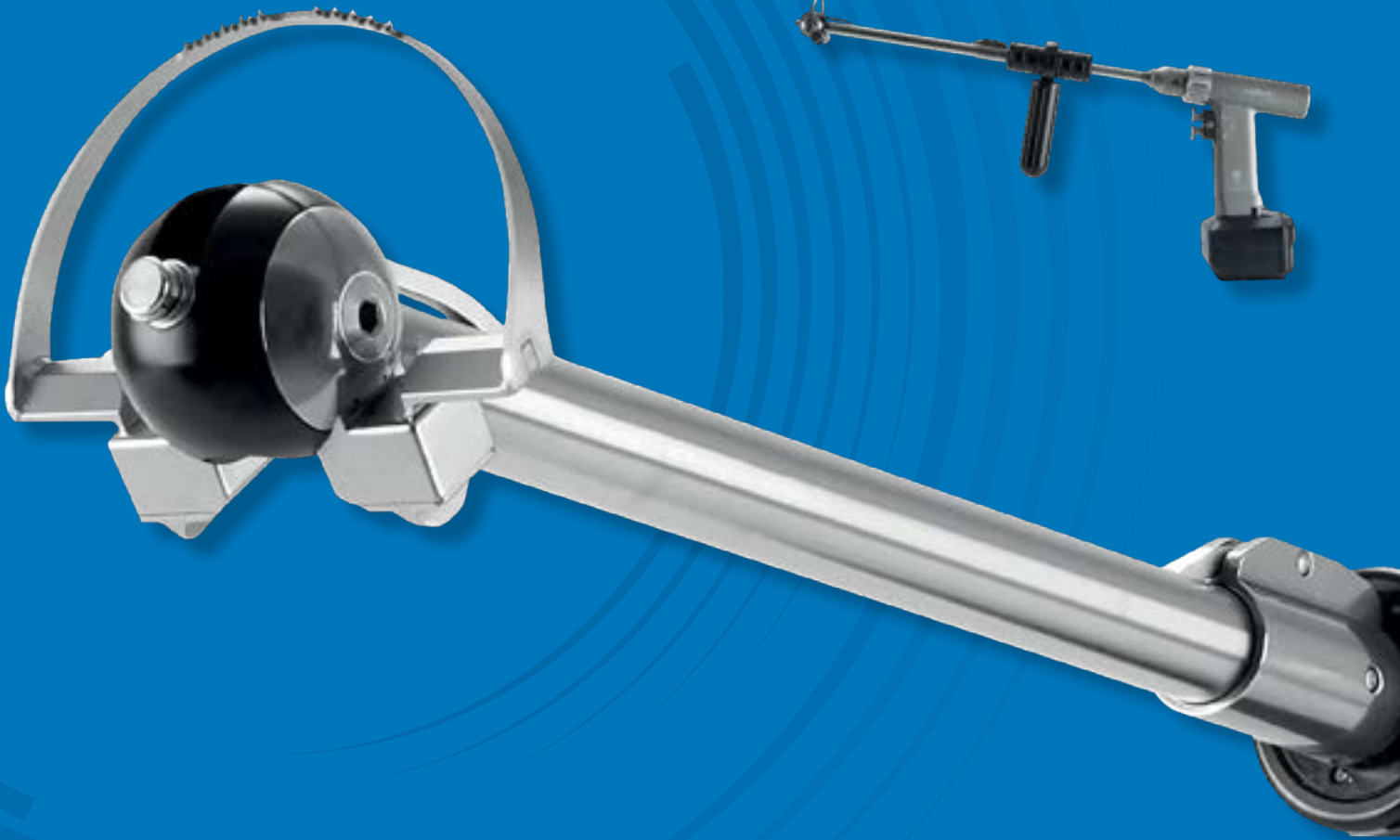
FEATURES

- Compatible with any powered handpiece
- Available blade sizes: 46-74mm
- Blade sizes offered in 1mm increments
- Available liner sizes: 37-65mm
- Liner sizes offered in 1mm increments
- Removes uncemented acetabular cups

BENEFITS

- Reduces surgical procedural time
- Minimizes bone loss and blood loss
- Simplifies complex hip revision surgeries, improving patient recovery & mobility
- Precise cut with predictable results
- Reduces the risk of acetabular fractures





TECHNOLOGY

EZX blades operating in rotational motion cut along the outer surface of the acetabular cup precisely and make accurate results.

- Patent Registered
 - New Excellent Technology (No. 152)
-

EXCELLENT RESULTS

EZX System helps quick and precise removal of acetabular cup and it gives excellent result for surgeons and patients.

- Super clean-cut
 - Reduces cutting time (within 3 mins)
 - Minimizes bone loss and additional fracture risk
-

EFFICIENT

EZX system offers 29 different sizes of disposable blades.

- Intended to remove hemispherical uncemented cups
- Universal shaft powered by any handpiece with a Hudson Modified attachment
- Single blade per procedure

HOW TO USE

Before use: Refer to the IFU of EZX System to understand the method of use and precautions.

01.



REMOVE THE LINER & SCREWS

Remove the liner and all screws.

- EZX system is designed for hemispherical uncemented cup without pins or spikes.

Remove all soft tissues circumferentially around the rim to ensure no interference with the blade during the operation.

02.

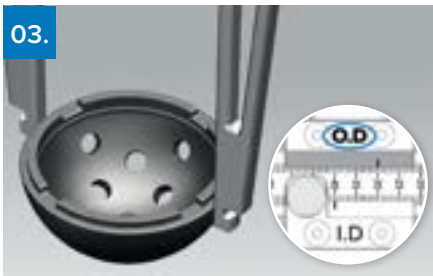


SIZE THE LINER

Measure the I.D. (Internal Diameter) of the cup by reading the scale of I.D. of sizing tool.

Select the liner of the same size as the I.D. of the cup by reading the I.D. scale on the sizing tool.

03.



SIZE THE BLADE

Measure the O.D. (Outer Diameter) of the cup by reading the O.D. scale on the sizing tool. Select a blade 2-3mm larger than the O.D. of the cup.

O.D (Cup)	Blade Size	Bone Cutting
52mm	54mm	1mm
52mm	55mm	1.5mm

04.

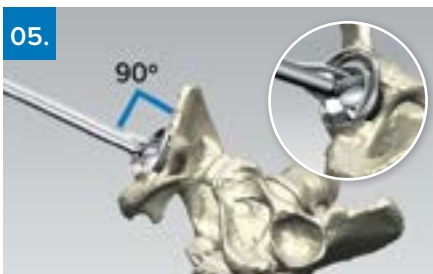


CONNECT THE BLADE

Assemble the shaft and blade by gently inserting the connectors of blade into the blade slot of the shaft while pulling the levers of blade slot box inward.

Ensure the blade is firmly connected to the shaft.

05.



MAKE THE BLADE PATHWAY

Assemble a powered handpiece and the shaft using Hudson Modified attachment. Place the shaft firmly in the center of the Liner at 90 degrees.

Engage the trigger of handpiece to rotate slowly and advance the side handle of shaft forward gently until the blade creates a guided pathway around the rim of the cup about 1-2mm depth.

06.



REMOVAL OF THE CUP

Start cutting by running powered handpiece slowly and advance the blade by pushing the side handle of the shaft forward until the cup is fully extracted.

SINGLE USE BLADE



Blade

*Available for every 1mm



ORDERING INFORMATION

NAME	ORDER CODE	DESCRIPTION
Universal Shaft	BREZS101	Shaft to assemble with side handle and EZX blade
Side Handle	BREZH100	Handle to hold Universal shaft and forward EZX blade
Liner Sizing Tool	BRXST1000A	Small liner tool 37mm – 57mm
Liner Sizing Tool	BRXST1000B	Large liner tool 58mm – 65mm
Blade Sizing Tool	BRXST2000 PLUS	Blade sizing tool
EZX Blade	BRXTB460 ~ 740	Blade size 46mm – 74mm (Available in 1mm increments)
EZX 1st Liner	BRXTL37A ~ 65A	First liner 37mm – 65mm (Available in 1mm increments)
EZX 2nd Liner	BRXTL37B ~ 65B	Second liner 37B – 65mm (Available in 1mm increments)
Sterilization Tray	BRXZT1000	EZX Sterilization tray

Summit Medical Group Limited
 Bourton Industrial Park
 Bourton on the Water
 Gloucestershire
 GL54 2HQ
 United Kingdom

Tel: +44 (0)1451 821311
 Email: info@summit-medical.co.uk

www.summit-medical.com

